



PATHWAY SOLUTIONS

Pathway Solutions

Overhead Optical Pathway Systems (OOPS)

Overhead Optical Pathway Systems (OOPS) are designed to protect and route fiber optic patch cords, cable assemblies to and from network cabinets, ODF and other terminal devices. Optical cable tray offers ideal solutions for optical raceway requirements & application with pleasing appearance and easy maintenance.



CONSTRUCTION	VALUE
Straight Section Material	Flame-retardant V0 rated material
Other Plastic Parts	ABS
Sizes	2" x 2" to 4" X 12"
Color	Yellow

Specifications Cable Diameter Accumulated Height	2"x 2" Systems		4"x4" Systems		4"x6" Systems		4"x10" Systems		4"x12" Systems	
	2mm	3mm	2mm	3mm	2mm	3mm	2mm	3mm	2mm	3mm
5cm	408	176	816	352	1224	528	2040	880	2448	1056
7.5cm	-	-	1224	528	1836	792	3060	1320	3672	1584
11 cm	-	-	1632	704	2448	1056	4080	1760	4896	2112

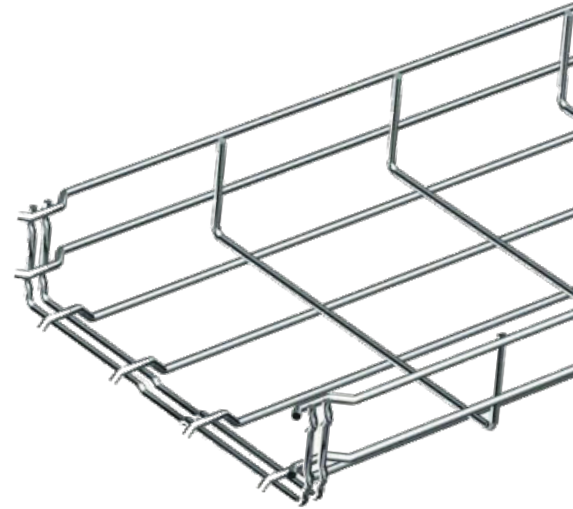
Features

- Faster Deployment
- Optical Fiber Protection
- Modular & Flexibility Optical Pathway Systems
- Durable and Strong System
- Constructed with Flame-retardant V0 rated material
- Tool-less design to enhance the system for easy and quick installation including snap- on Cover, hinged over option as well as quick exists
- Push/Pull mating for quick assembly
- Available in five sizes. With cover, regular or hinged cover
- Slotted ducking ideal for cable with varying exit locations
- Maintains bend radius to safely route & guide optical fiber cables

Pathway Solutions

Over Head Mesh System (OHMS)

The Overhead Mesh System (OHMS) utilizes high-quality mechanical strength wires welded in a 2" x 4" grid pattern, producing a strong, versatile, and economical cable support system designed for maximum flexibility. These prefabricated fittings are time-saving and cost-effective, easily field-cut, bent, assembled, and equipped with convenient cable drops.



CONSTRUCTION	VALUE
Straight Section Material	Steel
Sizes	2" to 24"(Length), 1.5" to 6"(Depth)

Features

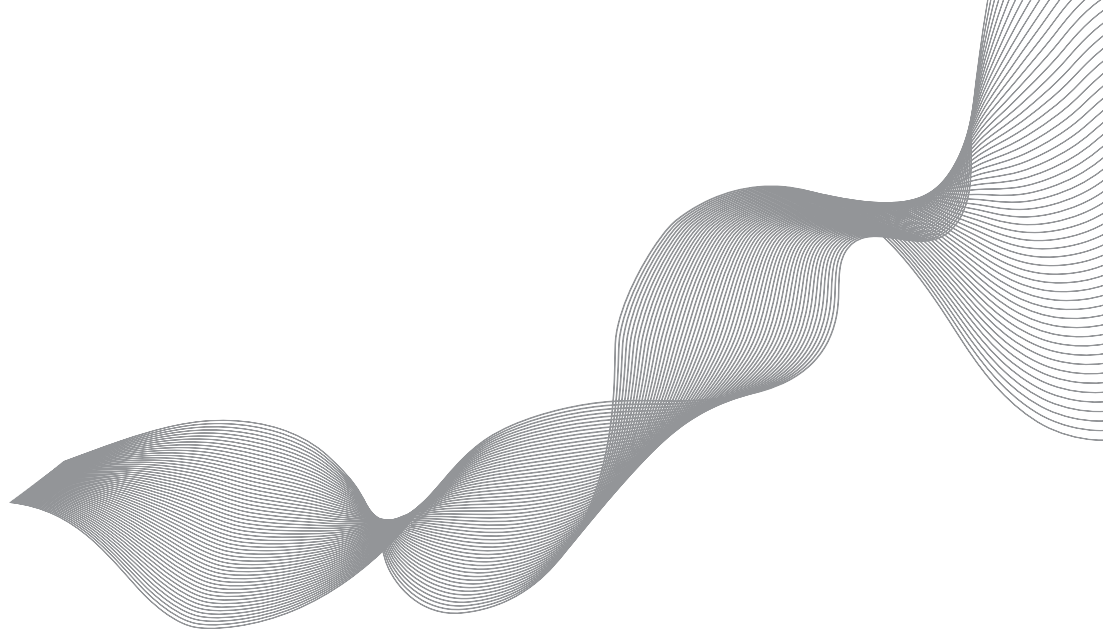
- Faster Deployment
- Time - saving and cost effective
- Field fabrication for Easy transitions & Adaptability
- Excellent ventilation
- Maximum strength for minimum weight

Overhead Patching Frame

Overhead Patching Frame is a 19" width frame that attaches directly to overhead cable management systems above racks or enclosures for patching or installation of small switches. Patching Frame provides flexibility in network and datacenter design by decoupling the physical network cabling from the enclosure, allowing easy movement of racks and upgrades to the network.



SPECIFICATION	VALUE
Material	Powder coated, electroplated zinc
Size	2U- 6U 2U - 525 x75x139x2.0mm 3U - 525 x75x184x2.0mm
Dimension(LXWXHXT)	4U - 525 x75x229x2.0mm 5U - 525 x75x274x2.0mm 6U - 525 x75x319x2.0mm
Installation Parts	2 Sets of mounting brackets, 10 sets of screws and nuts



PATHWAY SOLUTIONS



Manufacturing Plant: 3C3 India Private Limited

No: 8-A, Bidadi Industrial Area 2nd Phase, Sector-1,
Ramanagar Taluk, Ramanagar District Karnataka,
India-562109.

Sales Office : Bengaluru

No.103, Brigade Rubix,
Watch Factory Road,
Phase-1, Yeshwanthpur,
Bengaluru, Karnatak - 560013

Sales Office : Delhi

Bhive11, Building No 94, 1st Floor,
Ishwar Nagar, Near Shambhu
Dayal Bagh, Bahapur, Okhla,
New Delhi - 110020

Sales Office : Mumbai

Awfus 12B, Reliable Tech Park,
B wing, Thane - Belapur Rd,
Gavate Wadi, MIDC, Airoli,
Mumbai Maharashtra 400708

